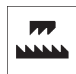
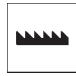
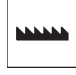


SK series

Single needle, Extra heavy duty, Large horizontal axis hook, Lockstitch machines



Variety

- 
SK-2B
 Drop feed and walking foot, reverse stitch
- 
SK-6
 Drop feed
- 
SK-6F
 Drop feed with spring return presser foot



Display a great efficiency on the peculiar sewing

Suitable for sewing of the materials which are hard to feed like tar-coated or ultra thick products like buff.

Applications

For sewing heavy weight leather, canvas, vinyl, and various coated and laminated fabrics

Suitable for sewing such products as harnesses, covers, safety belts, tents, sheets, gloves, buffs, and heavy duty travel bags.



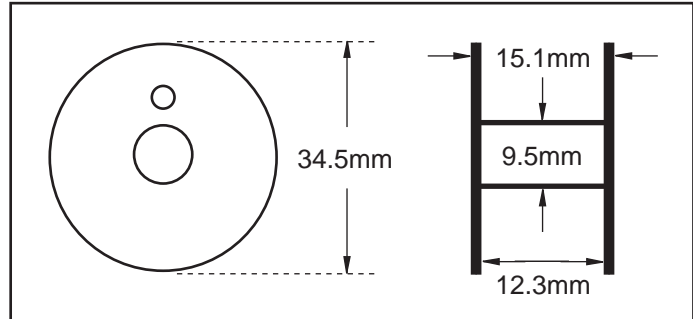
Features

Horizontal axis rotary hook with extra large capacity bobbin

Reverse stitching (SK-2B)

Extra large needle

20 inch long arm version available (Add "20" when ordering)



Large bobbin

Specifications (SK-)

Variety	2B	6	6F
Number of needle	Single needle		
Max. sewing speed	1,200(s.p.m.)		
Max. stitch length	1/2" (13 mm)		
Clearance under presser foot	by knee	35/64" (14 mm)	
	by hand	1/2" (13 mm)	
Needle bar stroke	2" (50.8 mm)		
Needle(standard)	DDx1 (#24) , 328 (#180)		
Thread	#0 ~ #5 (#5 standard)		
Hook	Large horizontal axis hook		
Amount of lift of presser foot	1/8"~15/64" (3~6 mm)		
Thread take up lever	Link type		
Lubrication	Hand type		
Bed size	20-15/32" x 9-27/32" (520 x 250 mm)		
Working space	10"x 7-31/64" (253 x 190 mm)		
Motor	Clutch motor		
Net weight(Head only)	44Kg		

NOTE

- (1) Speed depends on threads, materials and type of operation
- (2) Specifications subject to change without notice

Finger guard (at extra charge)

Part No.	Variety
1460	2B , 6F
1707	6



SEIKO SEWING MACHINE CO., LTD.

2-13-6, Sakaecho, Funabashi-shi
Chiba Prefecture, 273-0018, Japan

Phone : +81-47-420-3561 (Overseas dept.)

Fax : +81-47-420-3560

E-mail : export@seiko-sewing.co.jp

<http://www.seiko-sewing.co.jp/>